

Illustration - Type - E

3 601 C94 001
 Stand } 20-03
 Issue } 24-04-12

Fig. /Abb. 1

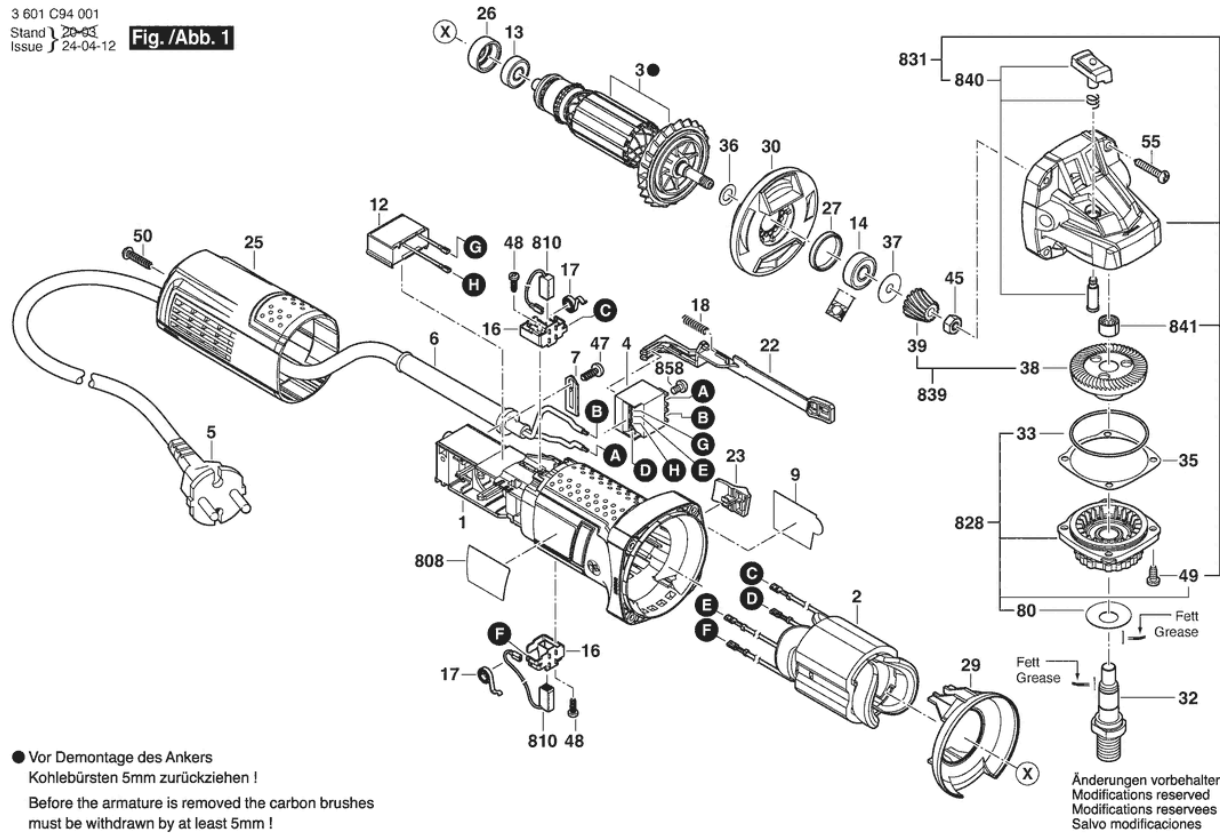
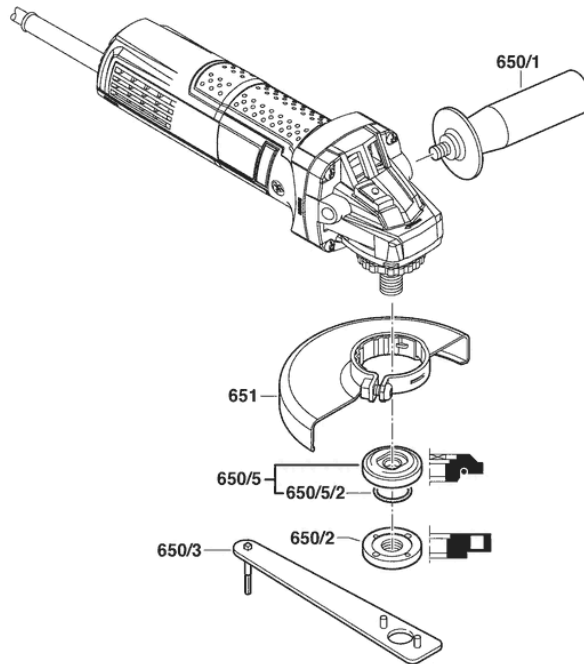
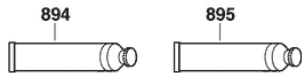


Illustration - Type - E

3 601 C94 001
Stand } 16-05-14
Issue } 16-05-25 **Fig. /Abb. 2**



Änderungen vorbehalten
Modifications reserved
Modifications reserves
Salvo modificaciones



Spare parts list

| Item | Part Number | Description | Illustration |
|------|---------------|--|--------------|
| 1 | 1 619 P10 958 | Motor Housing | 1 |
| 2 | 1 604 220 59E | Field | 1 |
| 3 | 1 604 010 BM9 | Armature | 1 |
| 4 | 1 607 200 326 | Switch | 1 |
| 5 | 1 604 460 312 | Power supply cord EU 2,65M 2 X 0,75MM H05 W-F | 1 |
| 6 | 2 600 703 012 | Grommet Ø6,5-Ø6,9X95 MM | 1 |
| 7 | 1 601 302 017 | Fastening Clamp | 1 |
| 9 | 1 619 P11 132 | Manufacturer's nameplate GWS 750 | 1 |
| 12 | 1 619 P15 041 | Suppression Filter | 1 |
| 13 | 1 619 P14 660 | groove ball bearing | 1 |
| 14 | 1 619 P13 103 | groove ball bearing | 1 |
| 16 | 1 619 P01 811 | Brush Holder | 1 |
| 17 | 1 604 652 013 | Spiral Spring | 1 |
| 18 | 1 619 P11 487 | Compression Spring | 1 |
| 22 | 1 619 P10 967 | Adjusting Slide | 1 |
| 23 | 1 619 P10 969 | Switch Button | 1 |
| 25 | 1 619 P10 963 | Housing Cover | 1 |
| 26 | 1 600 502 023 | Intermediate Ring | 1 |
| 27 | 1 600 206 025 | Rubber Ring | 1 |
| 29 | 1 619 P10 970 | Air-Deflector Ring | 1 |
| 30 | 1 619 P14 139 | Air Distributor | 1 |
| 32 | 1 619 P06 419 | Grinding Spindle M 14, SW 17 | 1 |
| 33 | 1 619 P14 257 | O-Ring | 1 |
| 35 | 1 619 P02 821 | Shim 0,1 MM | 1 |
| 35 | 1 619 P02 822 | Shim 0,2 MM | 1 |
| 36 | 1 619 P00 987 | Washer | 1 |
| 37 | 1 600 100 033 | Cover Disc | 1 |
| 45 | 2 915 011 007 | Hex Nut DIN 934-M6-8-A | 1 |
| 47 | 2 609 110 052 | Special Screw | 1 |
| 48 | 1 619 P00 220 | Torx Oval-Head Screw 3X10 | 1 |
| 49 | 1 619 P12 666 | Thread-forming tap. Screw | 1 |
| 50 | 1 619 P00 105 | Torx Oval-Head Screw 4X20 | 1 |
| 55 | 1 619 P01 066 | Torx Oval-Head Screw 4X25 | 1 |
| 80 | 1 619 P09 390 | Cover Disc | 1 |

Spare parts list

| Item | Part Number | Description | Illustration |
|---------|---------------|---|--------------|
| 808 | 1 619 P20 838 | Nameplate | 1 |
| 810 | 1 619 P11 715 | Carbon-Brush Set | 1 |
| 828 | 1 619 P07 452 | Bearing Flange | 1 |
| 831 | 1 619 P12 186 | Gear Housing | 1 |
| 839 | 1 619 PS0 661 | Gear | 1 |
| 840 | 1 619 P12 188 | Push Button | 1 |
| 841 | 1 600 200 029 | Plain bearing | 1 |
| 858 | 2 910 641 081 | Oval-Head Screw DIN7985-M3,5X5-4.8-H | 1 |
| 650/1 | 1 602 025 09T | Auxiliary Handle | 2 |
| 650/2 | 1 603 345 043 | Round Nut M14 | 2 |
| 650/3 | 1 619 P08 927 | Pin-Type Face-Wrench | 2 |
| 650/5 | 2 605 703 014 | Clamping Flange Ø22,3XØ42 MM | 2 |
| 650/5/2 | 1 600 210 039 | O-Ring 20,35X1,78 MM | 2 |
| 651 | 1 600 A00 XU6 | Protective Cover Ø115 MM SILVER | 2 |
| 894 | 1 615 430 020 | Grease Tube 225 ML | 2 |
| 895 | 1 605 430 003 | Grease Tube 225 ML | 2 |